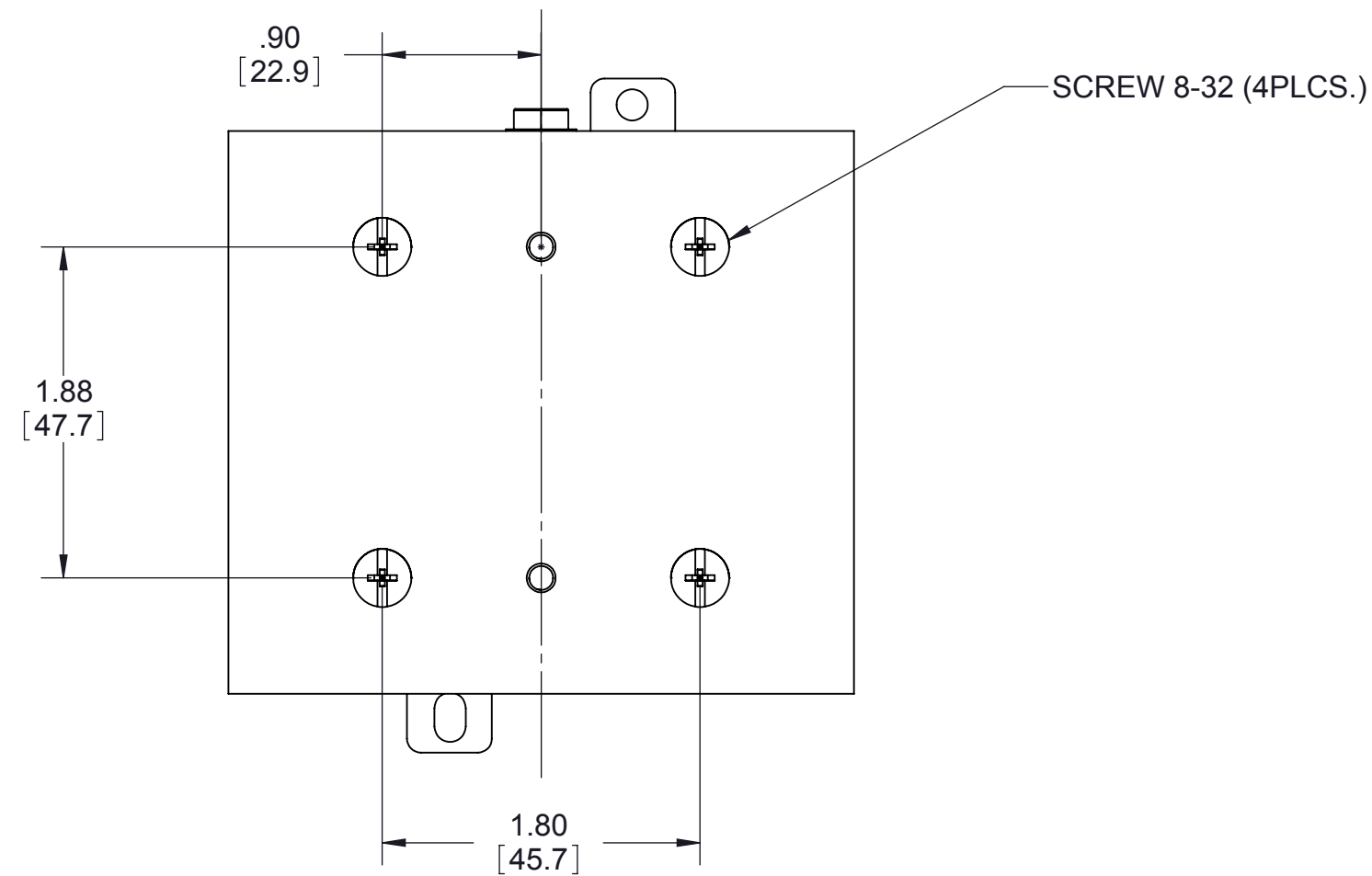
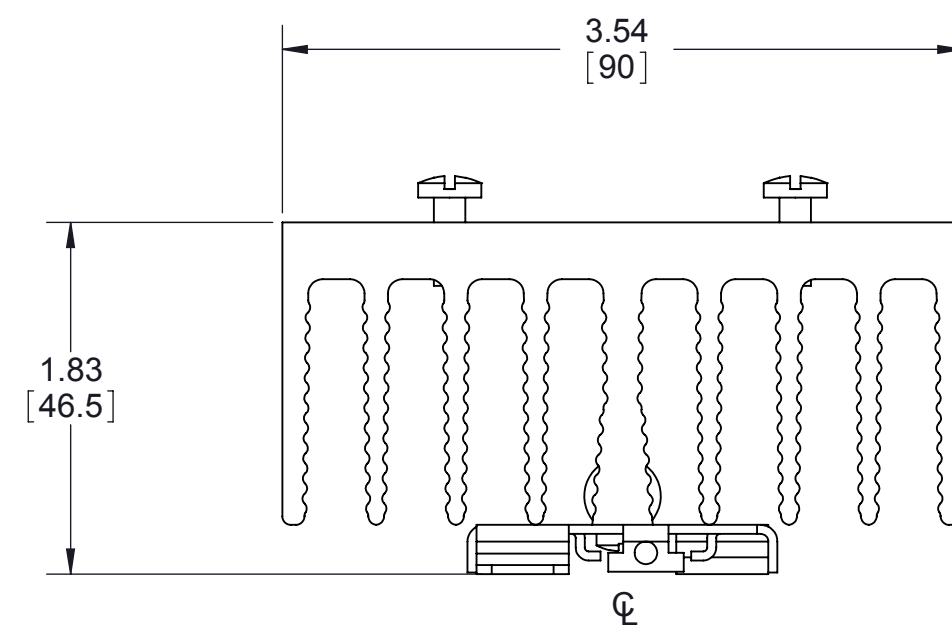
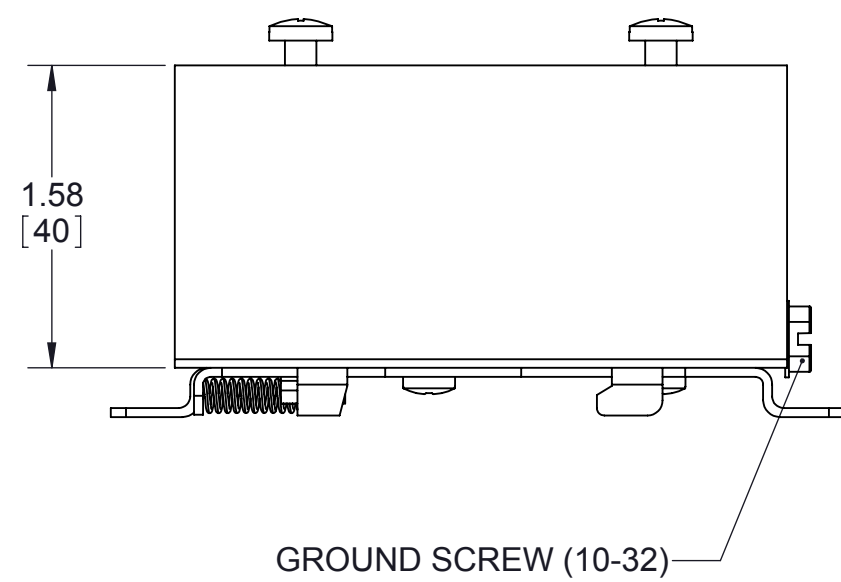
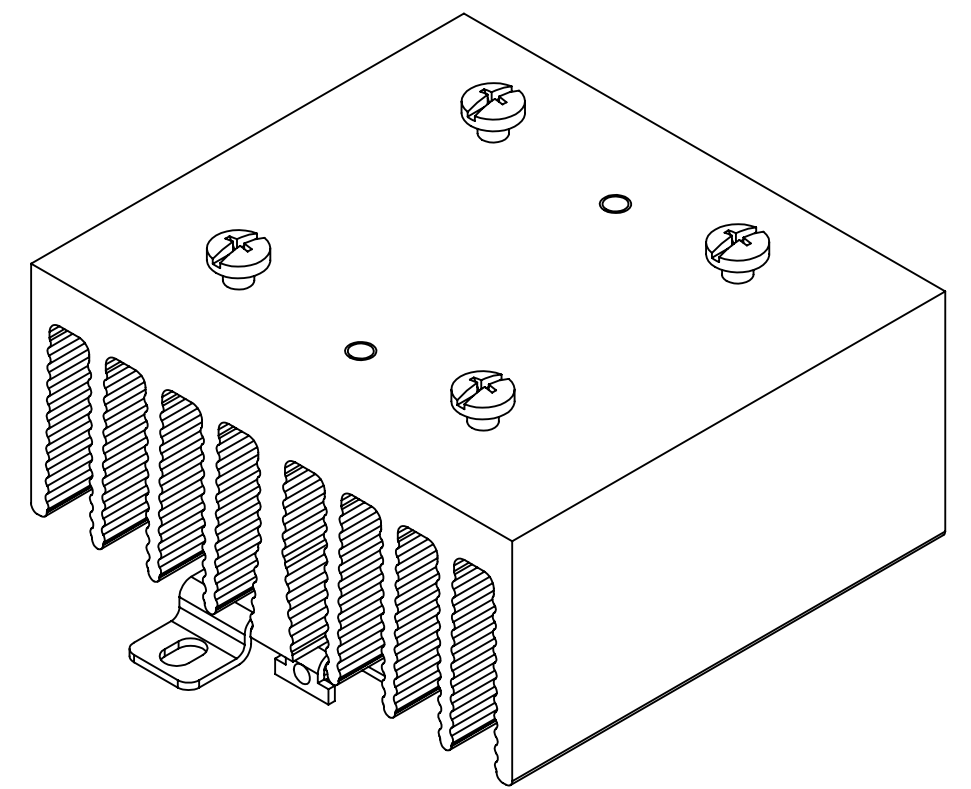
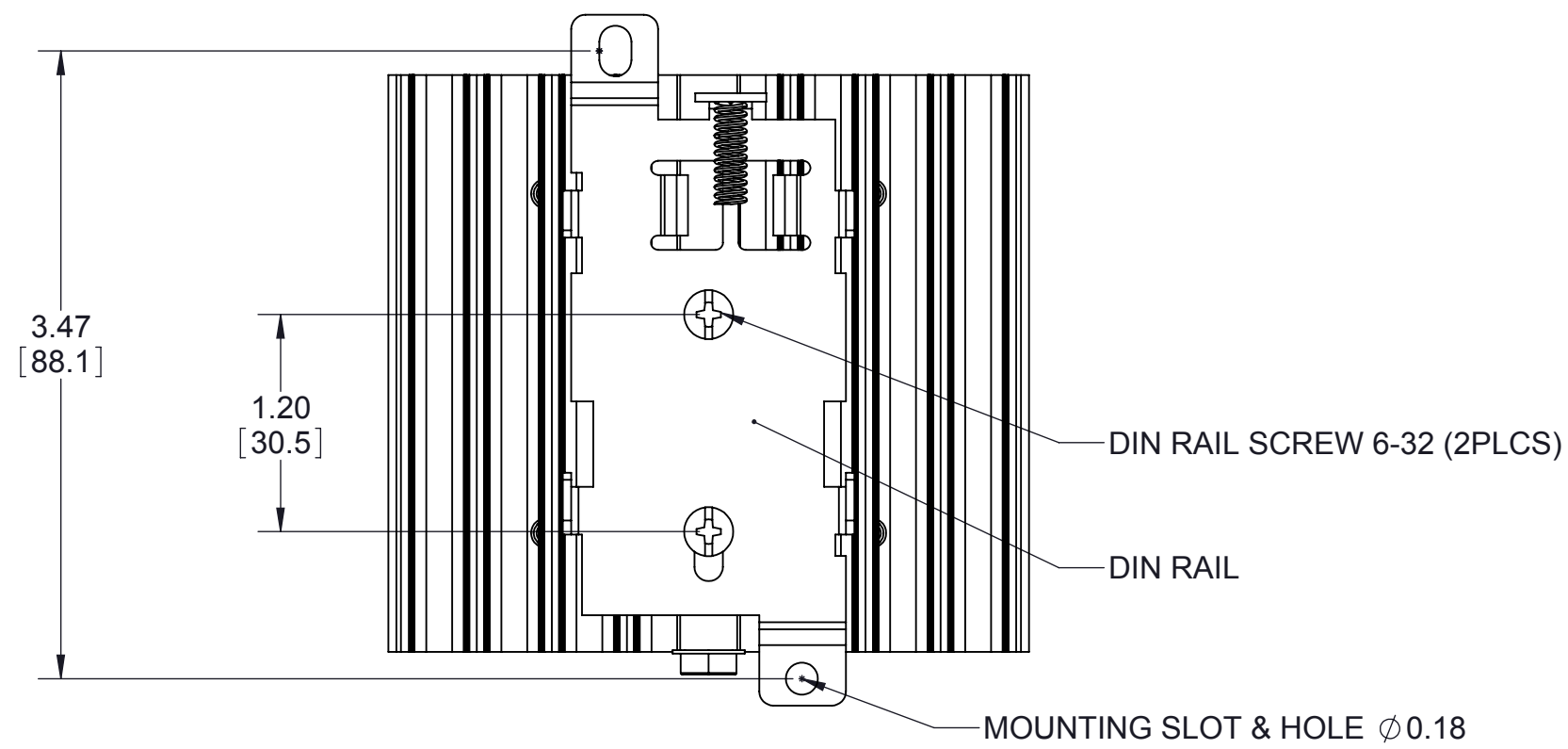


# HEAT SINK HS202DR



Tolerances:  $\pm$  0.02 in / 0.5 mm. All dimensions are in: inches [millimeters]